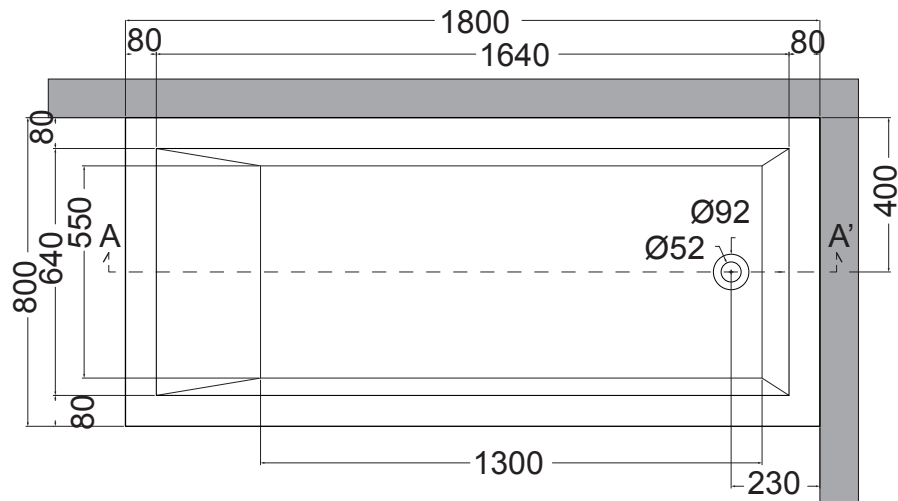


VASCA IN ACRILICO DX 180X80

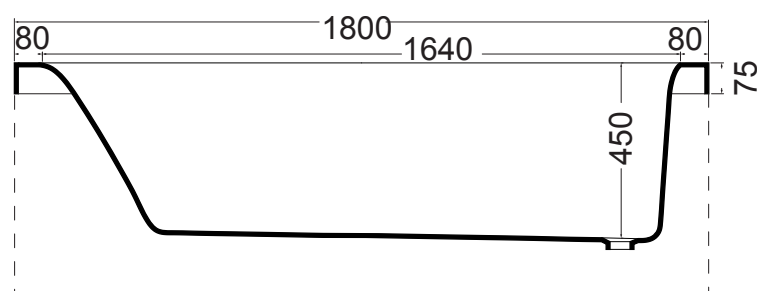
DATI TECNICI

ACRYLIC BATHTUB RX 180X80

TECHNICAL INFO



Vista in pianta
plan view



Sezione A/A'
Section A/A'

VASCA IN ACRILICO DX 180X80

DATI TECNICI

ACRYLIC BATHTUB RX 180X80

TECHNICAL INFO

I	CARATTERISTICHE IDRAULICHE	CARATTERISTICHE ELETTRICHE	REQUISITI DI PREINSTALLAZIONE	COMBINAZIONI RUBINETTERIA																										
<p>N.B. L'INSTALLAZIONE DEVE AVVENIRE A PAVIMENTO E PARETI FINITE</p>	Numero jets: 8	<table border="1"> <tr> <td>V</td> <td>HZ</td> <td>KW</td> <td>A</td> </tr> <tr> <td>220/240</td> <td>50/60</td> <td>0.78</td> <td>4.5</td> </tr> </table>	V	HZ	KW	A	220/240	50/60	0.78	4.5	<table border="1"> <tr> <td>C : Allaccio acqua calda rubinetteria parete:</td> <td>1/2"</td> </tr> <tr> <td>F : Allaccio acqua fredda rubinetteria parete:</td> <td>1/2"</td> </tr> </table>	C : Allaccio acqua calda rubinetteria parete:	1/2"	F : Allaccio acqua fredda rubinetteria parete:	1/2"	<table border="1"> <tr> <td>C F :</td> <td>Rubinetteria parete</td> </tr> </table>	C F :	Rubinetteria parete												
V	HZ	KW	A																											
220/240	50/60	0.78	4.5																											
C : Allaccio acqua calda rubinetteria parete:	1/2"																													
F : Allaccio acqua fredda rubinetteria parete:	1/2"																													
C F :	Rubinetteria parete																													
<p>Peso netto: Kg 60 Peso spedizione: Kg 65 Volume spedizione: m3 = 0,777 Contenuto acqua Lt 260</p>	jets airpool : 12	<table border="1"> <tr> <th colspan="4">ELETTRICO POMPA AIRPOOL</th> </tr> <tr> <td>V</td> <td>HZ</td> <td>KW</td> <td>A</td> </tr> <tr> <td>220/230</td> <td>50/60</td> <td>0.65</td> <td>3</td> </tr> </table>	ELETTRICO POMPA AIRPOOL				V	HZ	KW	A	220/230	50/60	0.65	3	<table border="1"> <tr> <td>CB : Allaccio acqua calda bordo vasca:</td> <td>1/2"</td> </tr> <tr> <td>FB : Allaccio acqua fredda bordo vasca:</td> <td>1/2"</td> </tr> <tr> <td>T : Allaccio miscelatore per erogazione da troppopieno:</td> <td>1/2"</td> </tr> <tr> <td>S : Allaccio scarico incassato a pavimento:</td> <td>1-1/2"</td> </tr> <tr> <td>E : Allaccio elettrico idromassaggio</td> <td>IPX5</td> </tr> </table>	CB : Allaccio acqua calda bordo vasca:	1/2"	FB : Allaccio acqua fredda bordo vasca:	1/2"	T : Allaccio miscelatore per erogazione da troppopieno:	1/2"	S : Allaccio scarico incassato a pavimento:	1-1/2"	E : Allaccio elettrico idromassaggio	IPX5	<table border="1"> <tr> <td>CFT:</td> <td>Rubinetteria parete con erogazione troppopieno</td> </tr> <tr> <td>CB BF:</td> <td>Rubinetteria bordo vasca</td> </tr> </table>	CFT:	Rubinetteria parete con erogazione troppopieno	CB BF:	Rubinetteria bordo vasca
ELETTRICO POMPA AIRPOOL																														
V	HZ	KW	A																											
220/230	50/60	0.65	3																											
CB : Allaccio acqua calda bordo vasca:	1/2"																													
FB : Allaccio acqua fredda bordo vasca:	1/2"																													
T : Allaccio miscelatore per erogazione da troppopieno:	1/2"																													
S : Allaccio scarico incassato a pavimento:	1-1/2"																													
E : Allaccio elettrico idromassaggio	IPX5																													
CFT:	Rubinetteria parete con erogazione troppopieno																													
CB BF:	Rubinetteria bordo vasca																													
GB	WATER SYSTEM SPECIFICATION	POWER SYSTEM SPECIFICATION	CONDITION REQUIRED BEFORE THE INSTALLATION	TAPS COMBINATION																										
<p>N.B. THE INSTALLATION MUST BE CARRIED OUT WITH FLOOR AND WALLS ALREADY TILED</p>	Numero jets: 8	<table border="1"> <tr> <td>V</td> <td>HZ</td> <td>KW</td> <td>A</td> </tr> <tr> <td>220/240</td> <td>50/60</td> <td>0.78</td> <td>4.5</td> </tr> </table>	V	HZ	KW	A	220/240	50/60	0.78	4.5	<table border="1"> <tr> <td>C : Wall taps outlet for hot water:</td> <td>1/2"</td> </tr> <tr> <td>F : Wall taps outlet for cold water:</td> <td>1/2"</td> </tr> </table>	C : Wall taps outlet for hot water:	1/2"	F : Wall taps outlet for cold water:	1/2"	<table border="1"> <tr> <td>C F :</td> <td>Wall taps</td> </tr> </table>	C F :	Wall taps												
V	HZ	KW	A																											
220/240	50/60	0.78	4.5																											
C : Wall taps outlet for hot water:	1/2"																													
F : Wall taps outlet for cold water:	1/2"																													
C F :	Wall taps																													
<p>Net weight: Kg 60 total weight with package: Kg 65 Volume with package: m3 = 0,777 Water capacity Lt 260</p>	jets airpool : 12	<table border="1"> <tr> <th colspan="4">ELECTRO PUMP AIRPOOL</th> </tr> <tr> <td>V</td> <td>HZ</td> <td>KW</td> <td>A</td> </tr> <tr> <td>220/230</td> <td>50/60</td> <td>0.65</td> <td>3</td> </tr> </table>	ELECTRO PUMP AIRPOOL				V	HZ	KW	A	220/230	50/60	0.65	3	<table border="1"> <tr> <td>CB : Bath edge taps outlet for hot water:</td> <td>1/2"</td> </tr> <tr> <td>FB : Bath edge taps outlet for cold water:</td> <td>1/2"</td> </tr> <tr> <td>T : Single outlet for mixed water to supply by overflowing:</td> <td>1/2"</td> </tr> <tr> <td>S : Drainage outlet installed in the floor:</td> <td>1-1/2"</td> </tr> <tr> <td>E : Power outlet for the wirlpool</td> <td>IPX5</td> </tr> </table>	CB : Bath edge taps outlet for hot water:	1/2"	FB : Bath edge taps outlet for cold water:	1/2"	T : Single outlet for mixed water to supply by overflowing:	1/2"	S : Drainage outlet installed in the floor:	1-1/2"	E : Power outlet for the wirlpool	IPX5	<table border="1"> <tr> <td>CFT:</td> <td>Wall taps with water supply by overflowing</td> </tr> <tr> <td>CB BF:</td> <td>Bath edge taps</td> </tr> </table>	CFT:	Wall taps with water supply by overflowing	CB BF:	Bath edge taps
ELECTRO PUMP AIRPOOL																														
V	HZ	KW	A																											
220/230	50/60	0.65	3																											
CB : Bath edge taps outlet for hot water:	1/2"																													
FB : Bath edge taps outlet for cold water:	1/2"																													
T : Single outlet for mixed water to supply by overflowing:	1/2"																													
S : Drainage outlet installed in the floor:	1-1/2"																													
E : Power outlet for the wirlpool	IPX5																													
CFT:	Wall taps with water supply by overflowing																													
CB BF:	Bath edge taps																													
F	WATER SYSTEM SPECIFICATION	POWER SYSTEM SPECIFICATION	CONDITION REQUIRED BEFORE THE INSTALLATION	TAPS COMBINATION																										
<p>N.B. THE INSTALLATION MUST BE CARRIED OUT WITH FLOOR AND WALLS ALREADY TILED</p>	Numero jets: 8	<table border="1"> <tr> <td>V</td> <td>HZ</td> <td>KW</td> <td>A</td> </tr> <tr> <td>220/240</td> <td>50/60</td> <td>0.78</td> <td>4.5</td> </tr> </table>	V	HZ	KW	A	220/240	50/60	0.78	4.5	<table border="1"> <tr> <td>C : Wall taps outlet for hot water:</td> <td>1/2"</td> </tr> <tr> <td>F : Wall taps outlet for cold water:</td> <td>1/2"</td> </tr> </table>	C : Wall taps outlet for hot water:	1/2"	F : Wall taps outlet for cold water:	1/2"	<table border="1"> <tr> <td>C F :</td> <td>Wall taps</td> </tr> </table>	C F :	Wall taps												
V	HZ	KW	A																											
220/240	50/60	0.78	4.5																											
C : Wall taps outlet for hot water:	1/2"																													
F : Wall taps outlet for cold water:	1/2"																													
C F :	Wall taps																													
<p>Net weight: Kg 60 total weight with package: Kg 65 Volume with package: m3 = 0,777 Water capacity Lt 260</p>	jets airpool : 12	<table border="1"> <tr> <th colspan="4">ELECTRO PUMP AIRPOOL</th> </tr> <tr> <td>V</td> <td>HZ</td> <td>KW</td> <td>A</td> </tr> <tr> <td>220/230</td> <td>50/60</td> <td>0.65</td> <td>3</td> </tr> </table>	ELECTRO PUMP AIRPOOL				V	HZ	KW	A	220/230	50/60	0.65	3	<table border="1"> <tr> <td>CB : Bath edge taps outlet for hot water:</td> <td>1/2"</td> </tr> <tr> <td>FB : Bath edge taps outlet for cold water:</td> <td>1/2"</td> </tr> <tr> <td>T : Single outlet for mixed water to supply by overflowing:</td> <td>1/2"</td> </tr> <tr> <td>S : Drainage outlet installed in the floor:</td> <td>1-1/2"</td> </tr> <tr> <td>E : Power outlet for the wirlpool</td> <td>IPX5</td> </tr> </table>	CB : Bath edge taps outlet for hot water:	1/2"	FB : Bath edge taps outlet for cold water:	1/2"	T : Single outlet for mixed water to supply by overflowing:	1/2"	S : Drainage outlet installed in the floor:	1-1/2"	E : Power outlet for the wirlpool	IPX5	<table border="1"> <tr> <td>CFT:</td> <td>Wall taps with water supply by overflowing</td> </tr> <tr> <td>CB BF:</td> <td>Bath edge taps</td> </tr> </table>	CFT:	Wall taps with water supply by overflowing	CB BF:	Bath edge taps
ELECTRO PUMP AIRPOOL																														
V	HZ	KW	A																											
220/230	50/60	0.65	3																											
CB : Bath edge taps outlet for hot water:	1/2"																													
FB : Bath edge taps outlet for cold water:	1/2"																													
T : Single outlet for mixed water to supply by overflowing:	1/2"																													
S : Drainage outlet installed in the floor:	1-1/2"																													
E : Power outlet for the wirlpool	IPX5																													
CFT:	Wall taps with water supply by overflowing																													
CB BF:	Bath edge taps																													

VASCA IN ACRILICO SX 180X80

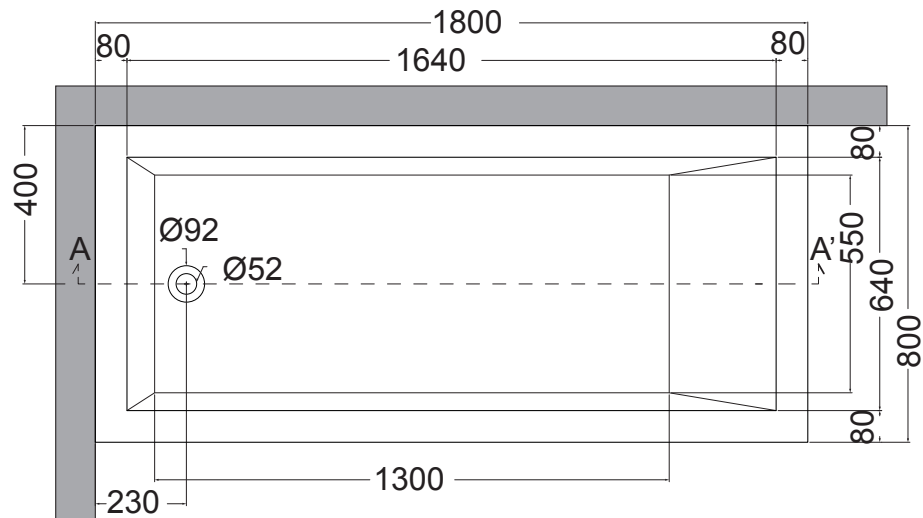
Inglese?????????

Francese????????

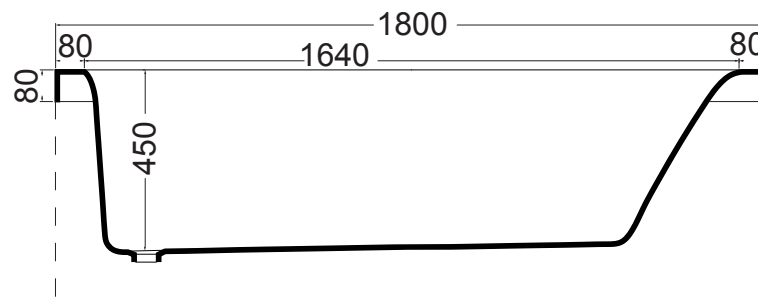
DATI TECNICI

Inglese?????????

Francese????????



Vista in pianta
plan view



Sezione A/A'
Section A/A'

VASCA IN ACRILICO SX 180X80

Inglese?????????

Francese???????

DATI TECNICI

Inglese?????????

Francese???????

I	CARATTERISTICHE IDRAULICHE	CARATTERISTICHE ELETTRICHE	REQUISITI DI PREINSTALLAZIONE	COMBINAZIONI RUBINETTERIA																										
<p>N.B. L'INSTALLAZIONE DEVE AVVENIRE A PAVIMENTO E PARETI FINITE</p>	Numero jets: 8	<table border="1"> <tr> <td>V</td><td>HZ</td><td>KW</td><td>A</td> </tr> <tr> <td>220/240</td><td>50/60</td><td>0.78</td><td>4.5</td> </tr> </table>	V	HZ	KW	A	220/240	50/60	0.78	4.5	<table border="1"> <tr> <td>C : Allaccio acqua calda rubinetteria parete:</td><td>1/2"</td> </tr> <tr> <td>F : Allaccio acqua fredda rubinetteria parete:</td><td>1/2"</td> </tr> <tr> <td>CB : Allaccio acqua calda bordo vasca:</td><td>1/2"</td> </tr> <tr> <td>FB : Allaccio acqua fredda bordo vasca:</td><td>1/2"</td> </tr> <tr> <td>T : Allaccio miscelatore per erogazione da troppopieno:</td><td>1/2"</td> </tr> <tr> <td>S : Allaccio scarico incassato a pavimento:</td><td>1-1/2"</td> </tr> <tr> <td>E : Allaccio elettrico idromassaggio</td><td>IPX5</td> </tr> </table>	C : Allaccio acqua calda rubinetteria parete:	1/2"	F : Allaccio acqua fredda rubinetteria parete:	1/2"	CB : Allaccio acqua calda bordo vasca:	1/2"	FB : Allaccio acqua fredda bordo vasca:	1/2"	T : Allaccio miscelatore per erogazione da troppopieno:	1/2"	S : Allaccio scarico incassato a pavimento:	1-1/2"	E : Allaccio elettrico idromassaggio	IPX5	<table border="1"> <tr> <td>C F :</td><td>Rubinetteria parete</td> </tr> <tr> <td>● ●</td><td></td> </tr> </table>	C F :	Rubinetteria parete	● ●	
V	HZ	KW	A																											
220/240	50/60	0.78	4.5																											
C : Allaccio acqua calda rubinetteria parete:	1/2"																													
F : Allaccio acqua fredda rubinetteria parete:	1/2"																													
CB : Allaccio acqua calda bordo vasca:	1/2"																													
FB : Allaccio acqua fredda bordo vasca:	1/2"																													
T : Allaccio miscelatore per erogazione da troppopieno:	1/2"																													
S : Allaccio scarico incassato a pavimento:	1-1/2"																													
E : Allaccio elettrico idromassaggio	IPX5																													
C F :	Rubinetteria parete																													
● ●																														
<p>Peso netto: Kg 60 Peso spedizione: Kg 65 Volume spedizione: m3 = 0,777 Contenuto acqua Lt 260</p>	jets airpool : 12	<p>ELETTRO POMPA AIRPOOL</p> <table border="1"> <tr> <td>V</td><td>HZ</td><td>KW</td><td>A</td> </tr> <tr> <td>220/230</td><td>50/60</td><td>0.65</td><td>3</td> </tr> </table>	V	HZ	KW	A	220/230	50/60	0.65	3	<table border="1"> <tr> <td>CB : Allaccio acqua calda bordo vasca:</td><td>1/2"</td> </tr> <tr> <td>FB : Allaccio acqua fredda bordo vasca:</td><td>1/2"</td> </tr> <tr> <td>T : Allaccio miscelatore per erogazione da troppopieno:</td><td>1/2"</td> </tr> <tr> <td>S : Allaccio scarico incassato a pavimento:</td><td>1-1/2"</td> </tr> <tr> <td>E : Allaccio elettrico idromassaggio</td><td>IPX5</td> </tr> </table>	CB : Allaccio acqua calda bordo vasca:	1/2"	FB : Allaccio acqua fredda bordo vasca:	1/2"	T : Allaccio miscelatore per erogazione da troppopieno:	1/2"	S : Allaccio scarico incassato a pavimento:	1-1/2"	E : Allaccio elettrico idromassaggio	IPX5	<table border="1"> <tr> <td>CFT:</td><td>Rubinetteria parete con erogazione troppopieno</td> </tr> <tr> <td>● ● ●</td><td></td> </tr> <tr> <td>CB BF:</td><td>Rubinetteria bordo vasca</td> </tr> <tr> <td>■ ■</td><td></td> </tr> </table>	CFT:	Rubinetteria parete con erogazione troppopieno	● ● ●		CB BF:	Rubinetteria bordo vasca	■ ■	
V	HZ	KW	A																											
220/230	50/60	0.65	3																											
CB : Allaccio acqua calda bordo vasca:	1/2"																													
FB : Allaccio acqua fredda bordo vasca:	1/2"																													
T : Allaccio miscelatore per erogazione da troppopieno:	1/2"																													
S : Allaccio scarico incassato a pavimento:	1-1/2"																													
E : Allaccio elettrico idromassaggio	IPX5																													
CFT:	Rubinetteria parete con erogazione troppopieno																													
● ● ●																														
CB BF:	Rubinetteria bordo vasca																													
■ ■																														
GB	WATER SYSTEM SPECIFICATION	POWER SYSTEM SPECIFICATION	CONDITION REQUIRED BEFORE THE INSTALLATION	TAPS COMBINATION																										
<p>N.B. THE INSTALLATION MUST BE CARRIED OUT WITH FLOOR AND WALLS ALRESDY TILED</p>	Numero jets: 8	<table border="1"> <tr> <td>V</td><td>HZ</td><td>KW</td><td>A</td> </tr> <tr> <td>220/240</td><td>50/60</td><td>0.78</td><td>4.5</td> </tr> </table>	V	HZ	KW	A	220/240	50/60	0.78	4.5	<table border="1"> <tr> <td>C : Wall taps outlet for hot water:</td><td>1/2"</td> </tr> <tr> <td>F : Wall taps outlet for cold water:</td><td>1/2"</td> </tr> <tr> <td>CB : Bath edge taps outlet for hot water:</td><td>1/2"</td> </tr> <tr> <td>FB : Bath edge taps outlet for cold water:</td><td>1/2"</td> </tr> <tr> <td>T : Single outlet for mixed water to supply by overflowing:</td><td>1/2"</td> </tr> <tr> <td>S : Drainage outlet istalled in the floor:</td><td>1-1/2"</td> </tr> <tr> <td>E : Power outlet for the wirpool</td><td>IPX5</td> </tr> </table>	C : Wall taps outlet for hot water:	1/2"	F : Wall taps outlet for cold water:	1/2"	CB : Bath edge taps outlet for hot water:	1/2"	FB : Bath edge taps outlet for cold water:	1/2"	T : Single outlet for mixed water to supply by overflowing:	1/2"	S : Drainage outlet istalled in the floor:	1-1/2"	E : Power outlet for the wirpool	IPX5	<table border="1"> <tr> <td>C F :</td><td>Wall taps</td> </tr> <tr> <td>● ●</td><td></td> </tr> </table>	C F :	Wall taps	● ●	
V	HZ	KW	A																											
220/240	50/60	0.78	4.5																											
C : Wall taps outlet for hot water:	1/2"																													
F : Wall taps outlet for cold water:	1/2"																													
CB : Bath edge taps outlet for hot water:	1/2"																													
FB : Bath edge taps outlet for cold water:	1/2"																													
T : Single outlet for mixed water to supply by overflowing:	1/2"																													
S : Drainage outlet istalled in the floor:	1-1/2"																													
E : Power outlet for the wirpool	IPX5																													
C F :	Wall taps																													
● ●																														
<p>Net weight: Kg 60 total weight with package: Kg 65 Volume with package: m3 = 0,777 Water capacity Lt 260</p>	jets airpool : 12	<p>ELECTRO PUMP AIRPOOL</p> <table border="1"> <tr> <td>V</td><td>HZ</td><td>KW</td><td>A</td> </tr> <tr> <td>220/230</td><td>50/60</td><td>0.65</td><td>3</td> </tr> </table>	V	HZ	KW	A	220/230	50/60	0.65	3	<table border="1"> <tr> <td>CB : Bath edge taps outlet for hot water:</td><td>1/2"</td> </tr> <tr> <td>FB : Bath edge taps outlet for cold water:</td><td>1/2"</td> </tr> <tr> <td>T : Single outlet for mixed water to supply by overflowing:</td><td>1/2"</td> </tr> <tr> <td>S : Drainage outlet istalled in the floor:</td><td>1-1/2"</td> </tr> <tr> <td>E : Power outlet for the wirpool</td><td>IPX5</td> </tr> </table>	CB : Bath edge taps outlet for hot water:	1/2"	FB : Bath edge taps outlet for cold water:	1/2"	T : Single outlet for mixed water to supply by overflowing:	1/2"	S : Drainage outlet istalled in the floor:	1-1/2"	E : Power outlet for the wirpool	IPX5	<table border="1"> <tr> <td>CFT:</td><td>Wall taps with water supply by overflowing</td> </tr> <tr> <td>● ● ●</td><td></td> </tr> <tr> <td>CB BF:</td><td>Bath edge taps</td> </tr> <tr> <td>■ ■</td><td></td> </tr> </table>	CFT:	Wall taps with water supply by overflowing	● ● ●		CB BF:	Bath edge taps	■ ■	
V	HZ	KW	A																											
220/230	50/60	0.65	3																											
CB : Bath edge taps outlet for hot water:	1/2"																													
FB : Bath edge taps outlet for cold water:	1/2"																													
T : Single outlet for mixed water to supply by overflowing:	1/2"																													
S : Drainage outlet istalled in the floor:	1-1/2"																													
E : Power outlet for the wirpool	IPX5																													
CFT:	Wall taps with water supply by overflowing																													
● ● ●																														
CB BF:	Bath edge taps																													
■ ■																														
F	WATER SYSTEM SPECIFICATION	POWER SYSTEM SPECIFICATION	CONDITION REQUIRED BEFORE THE INSTALLATION	TAPS COMBINATION																										
<p>N.B. THE INSTALLATION MUST BE CARRIED OUT WITH FLOOR AND WALLS ALRESDY TILED</p>	Numero jets: 8	<table border="1"> <tr> <td>V</td><td>HZ</td><td>KW</td><td>A</td> </tr> <tr> <td>220/240</td><td>50/60</td><td>0.78</td><td>4.5</td> </tr> </table>	V	HZ	KW	A	220/240	50/60	0.78	4.5	<table border="1"> <tr> <td>C : Wall taps outlet for hot water:</td><td>1/2"</td> </tr> <tr> <td>F : Wall taps outlet for cold water:</td><td>1/2"</td> </tr> <tr> <td>CB : Bath edge taps outlet for hot water:</td><td>1/2"</td> </tr> <tr> <td>FB : Bath edge taps outlet for cold water:</td><td>1/2"</td> </tr> <tr> <td>T : Single outlet for mixed water to supply by overflowing:</td><td>1/2"</td> </tr> <tr> <td>S : Drainage outlet istalled in the floor:</td><td>1-1/2"</td> </tr> <tr> <td>E : Power outlet for the wirpool</td><td>IPX5</td> </tr> </table>	C : Wall taps outlet for hot water:	1/2"	F : Wall taps outlet for cold water:	1/2"	CB : Bath edge taps outlet for hot water:	1/2"	FB : Bath edge taps outlet for cold water:	1/2"	T : Single outlet for mixed water to supply by overflowing:	1/2"	S : Drainage outlet istalled in the floor:	1-1/2"	E : Power outlet for the wirpool	IPX5	<table border="1"> <tr> <td>C F :</td><td>Wall taps</td> </tr> <tr> <td>● ●</td><td></td> </tr> </table>	C F :	Wall taps	● ●	
V	HZ	KW	A																											
220/240	50/60	0.78	4.5																											
C : Wall taps outlet for hot water:	1/2"																													
F : Wall taps outlet for cold water:	1/2"																													
CB : Bath edge taps outlet for hot water:	1/2"																													
FB : Bath edge taps outlet for cold water:	1/2"																													
T : Single outlet for mixed water to supply by overflowing:	1/2"																													
S : Drainage outlet istalled in the floor:	1-1/2"																													
E : Power outlet for the wirpool	IPX5																													
C F :	Wall taps																													
● ●																														
<p>Net weight: Kg 60 total weight with package: Kg 65 Volume with package: m3 = 0,777 Water capacity Lt 260</p>	jets airpool : 12	<p>ELECTRO PUMP AIRPOOL</p> <table border="1"> <tr> <td>V</td><td>HZ</td><td>KW</td><td>A</td> </tr> <tr> <td>220/230</td><td>50/60</td><td>0.65</td><td>3</td> </tr> </table>	V	HZ	KW	A	220/230	50/60	0.65	3	<table border="1"> <tr> <td>CB : Bath edge taps outlet for hot water:</td><td>1/2"</td> </tr> <tr> <td>FB : Bath edge taps outlet for cold water:</td><td>1/2"</td> </tr> <tr> <td>T : Single outlet for mixed water to supply by overflowing:</td><td>1/2"</td> </tr> <tr> <td>S : Drainage outlet istalled in the floor:</td><td>1-1/2"</td> </tr> <tr> <td>E : Power outlet for the wirpool</td><td>IPX5</td> </tr> </table>	CB : Bath edge taps outlet for hot water:	1/2"	FB : Bath edge taps outlet for cold water:	1/2"	T : Single outlet for mixed water to supply by overflowing:	1/2"	S : Drainage outlet istalled in the floor:	1-1/2"	E : Power outlet for the wirpool	IPX5	<table border="1"> <tr> <td>CFT:</td><td>Wall taps with water supply by overflowing</td> </tr> <tr> <td>● ● ●</td><td></td> </tr> <tr> <td>CB BF:</td><td>Bath edge taps</td> </tr> <tr> <td>■ ■</td><td></td> </tr> </table>	CFT:	Wall taps with water supply by overflowing	● ● ●		CB BF:	Bath edge taps	■ ■	
V	HZ	KW	A																											
220/230	50/60	0.65	3																											
CB : Bath edge taps outlet for hot water:	1/2"																													
FB : Bath edge taps outlet for cold water:	1/2"																													
T : Single outlet for mixed water to supply by overflowing:	1/2"																													
S : Drainage outlet istalled in the floor:	1-1/2"																													
E : Power outlet for the wirpool	IPX5																													
CFT:	Wall taps with water supply by overflowing																													
● ● ●																														
CB BF:	Bath edge taps																													
■ ■																														