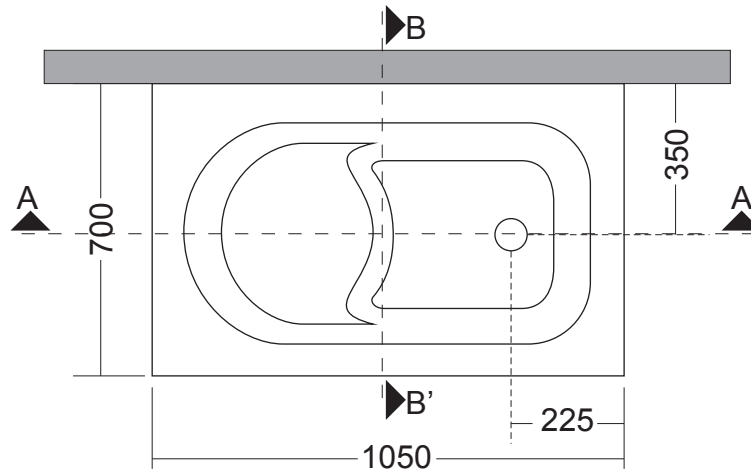
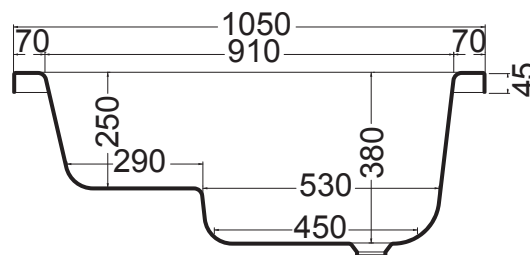


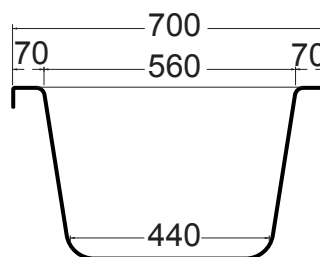
Vista in pianta
plan view

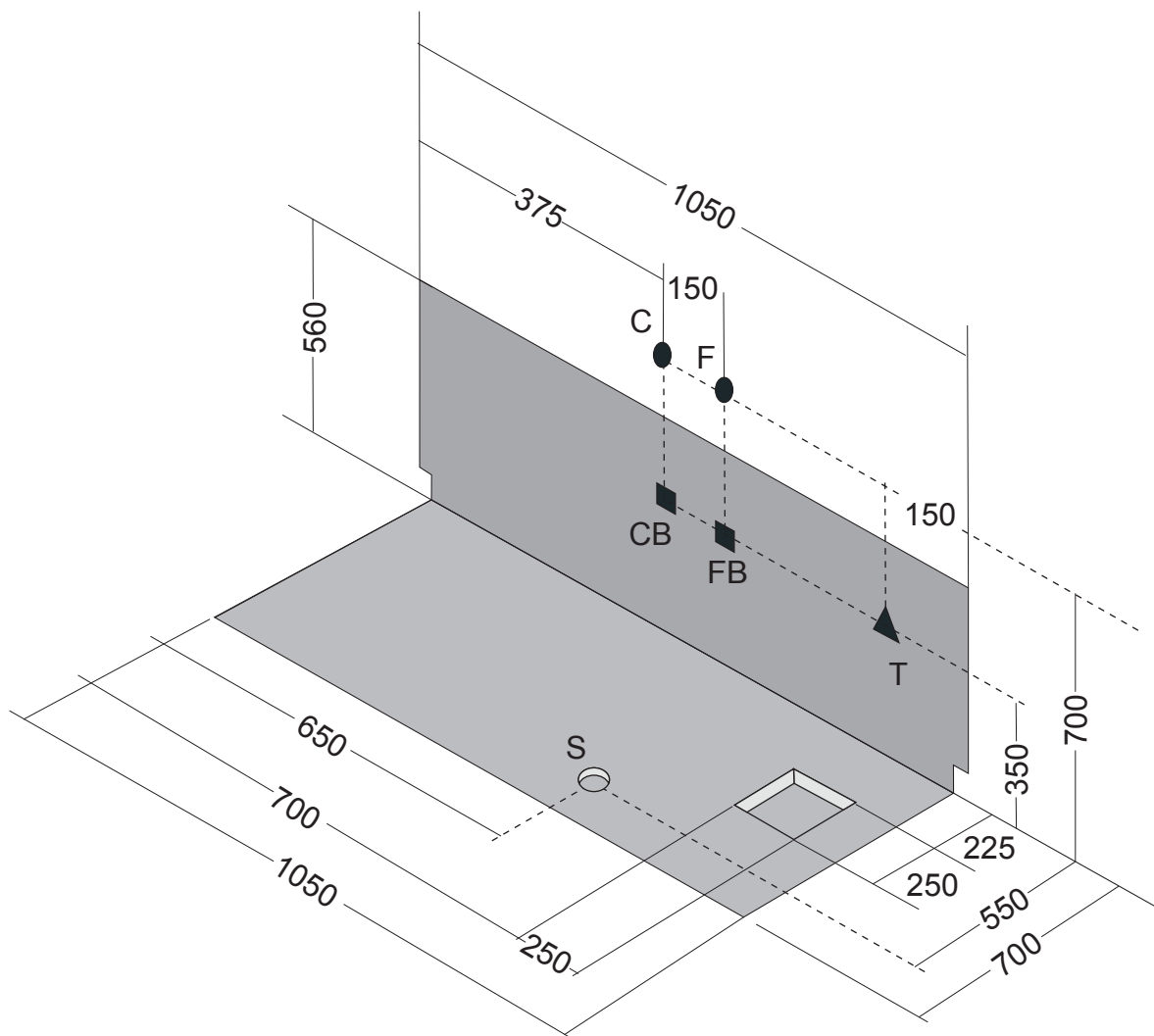


Sezione A/A'
Section A/A'



Sezione B/B'
Section B/B'





Ingombro vasca proiettato nel muro

Bath overall dimensions as projected on the wall

VASCA IN ACRILICO 105X70

DATI TECNICI

ACRYLIC BATHTUB 105X70

TECHNICAL INFO

I	CARATTERISTICHE IDRAULICHE	REQUISITI DI PREINSTALLAZIONE	COMBINAZIONI RUBINETTERIA
<p>N.B. L'INSTALLAZIONE DEVE AVVENIRE A PAVIMENTO E PARETI FINITE</p>	Numero jets: 0	<p>C : Allaccio acqua calda rubinetteria parete: 1/2"</p> <p>F : Allaccio acqua fredda rubinetteria parete: 1/2"</p>	<p>C F : Rubinetteria parete</p>
<p>Peso netto: Kg 18</p> <p>Peso spedizione: Kg 23</p> <p>Volume spedizione: m3 = 0,777</p> <p>Contenuto acqua: Lt 85</p>		<p>CB : Allaccio acqua calda bordo vasca: 1/2"</p> <p>FB : Allaccio acqua fredda bordo vasca: 1/2"</p> <p>T : Allaccio miscelatore per erogazione da troppopieno: 1/2"</p> <p>S : Allaccio scarico incassato a pavimento: 1-1/2"</p>	<p>CFT: Rubinetteria parete con erogazione troppopieno</p> <p>CB BF: Rubinetteria bordo vasca</p>
GB	WATER SYSTEM SPECIFICATION	CONDITION REQUIRED BEFORE THE INSTALLATION	TAPS COMBINATION
<p>N.B. THE INSTALLATION MUST BE CARRIED OUT WITH FLOOR AND WALLS ALRESDY TILED</p>	Numero jets: 0	<p>C : Wall taps outlet for hot water: 1/2"</p> <p>F : Wall taps outlet for cold water: 1/2"</p>	<p>C F : Wall taps</p>
<p>Net weight: Kg 18</p> <p>total weight with package: Kg 23</p> <p>Volume with package: m3 = 0,777</p> <p>Water capacity: Lt 85</p>		<p>CB : Bath edge taps outlet for hot water: 1/2"</p> <p>FB : Bath edge taps outlet for cold water: 1/2"</p> <p>T : Single outlet for mixed water to supply by overflowing: 1/2"</p> <p>S : Drainage outlet installed in the floor: 1-1/2"</p>	<p>CFT: Wall taps with water supply by overflowing</p> <p>CB BF: Bath edge taps</p>
F	WATER SYSTEM SPECIFICATION	CONDITION REQUIRED BEFORE THE INSTALLATION	TAPS COMBINATION
<p>N.B. THE INSTALLATION MUST BE CARRIED OUT WITH FLOOR AND WALLS ALRESDY TILED</p>	Numero jets: 0	<p>C : Wall taps outlet for hot water: 1/2"</p> <p>F : Wall taps outlet for cold water: 1/2"</p>	<p>C F : Wall taps</p>
<p>Net weight: Kg 18</p> <p>total weight with package: Kg 23</p> <p>Volume with package: m3 = 0,777</p> <p>Water capacity: Lt 85</p>		<p>CB : Bath edge taps outlet for hot water: 1/2"</p> <p>FB : Bath edge taps outlet for cold water: 1/2"</p> <p>T : Single outlet for mixed water to supply by overflowing: 1/2"</p> <p>S : Drainage outlet installed in the floor: 1-1/2"</p>	<p>CFT: Wall taps with water supply by overflowing</p> <p>CB BF: Bath edge taps</p>